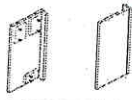
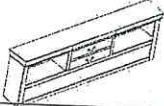

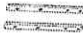
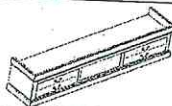





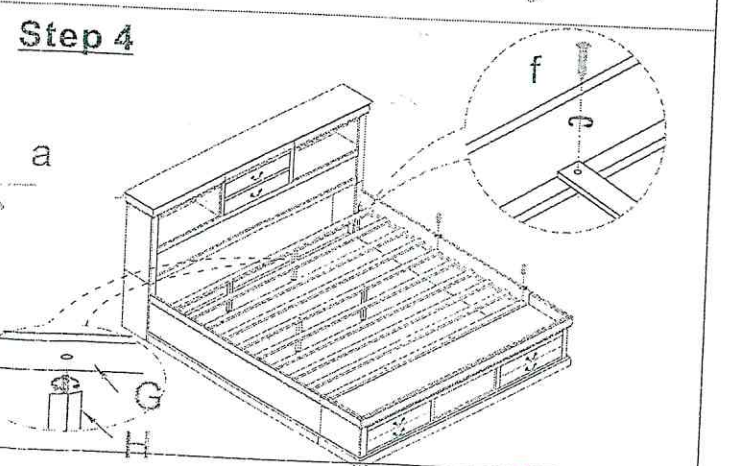
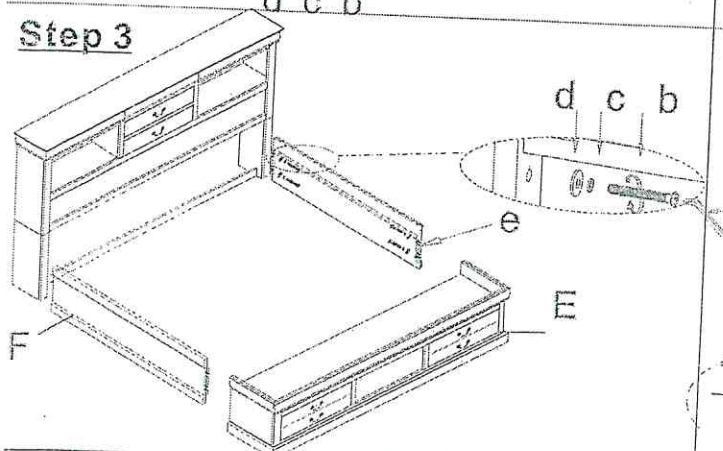
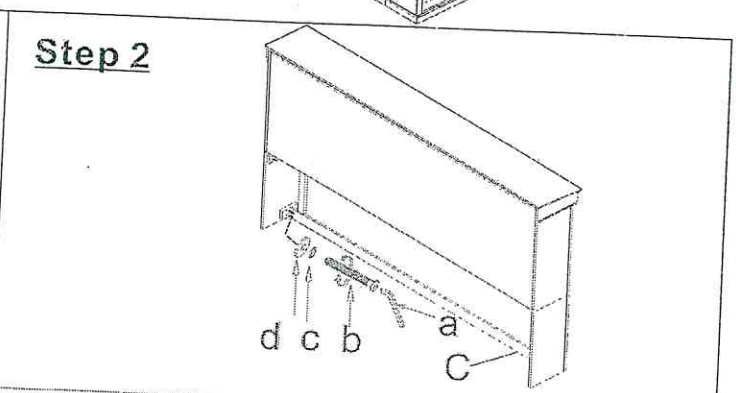
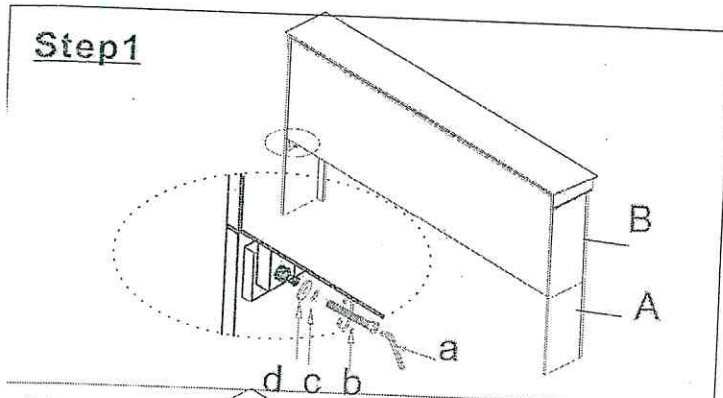
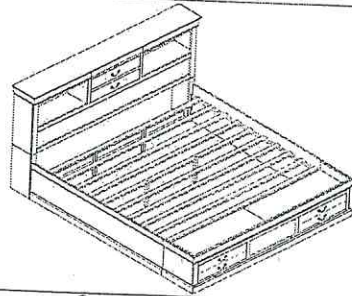
ASSEMBLY INSTRUCTIONS

BLACK 24387EK-HB, 24388EK-FB, 24389EK-R
 CHERRY 24377EK-HB, 24378EK-FB, 24379EK-R
 REAL WHITE 24497EK-HB, 24498EK-FB, 24499EK-R

Thank you for purchasing this quality product. Be sure to check all packing materials carefully for small parts which may have come loose inside the carton during shipment. Identify and count all parts and compare with the parts list below.
 ** Assemble product on a flat, soft surface such as a carpet or cloth to prevent scratching the finish. Read all instruction and study the drawings carefully before starting the assembly process.

| Parts List | | | Qty |
|------------|---|----------------|-------|
| A |  | Headboard legs | 2 pcs |
| B |  | Headboard | 1 pc |
| C |  | Bottom rail | 1 pc |
| D |  | Support bar | 2 pcs |
| E |  | Footboard | 1 pc |
| F |  | Side Rail | 2 pcs |
| G |  | Bed Slat | 1 set |
| H |  | Slat Support | 6 pcs |

| HARDWARE LIST | | | |
|---------------|---|-------------|--------|
| a |  | 4mm | 1 pc |
| b |  | 1/4"x1-1/4" | 28 pcs |
| c |  | 1/4"x10 mm | 28 pcs |
| d |  | 1/4"x14x2mm | 28 pcs |
| e |  | 10.9x30 mm | 8 pcs |
| f |  | 4x30mm | 6 pcs |



MADE IN VIETNAM